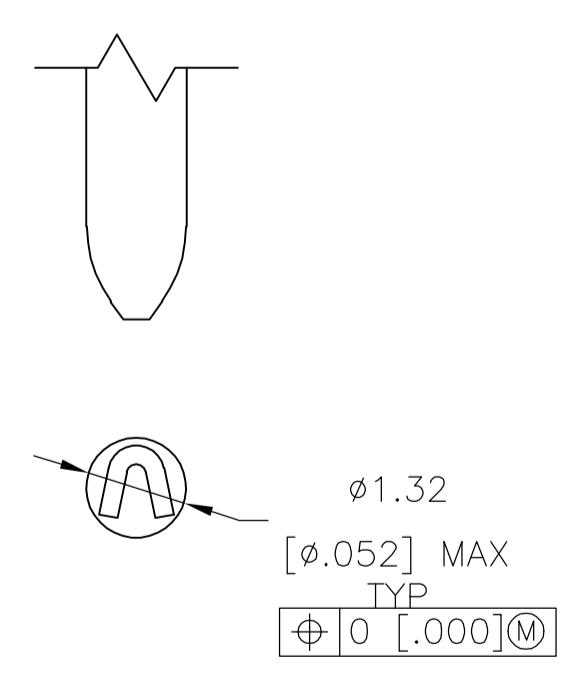
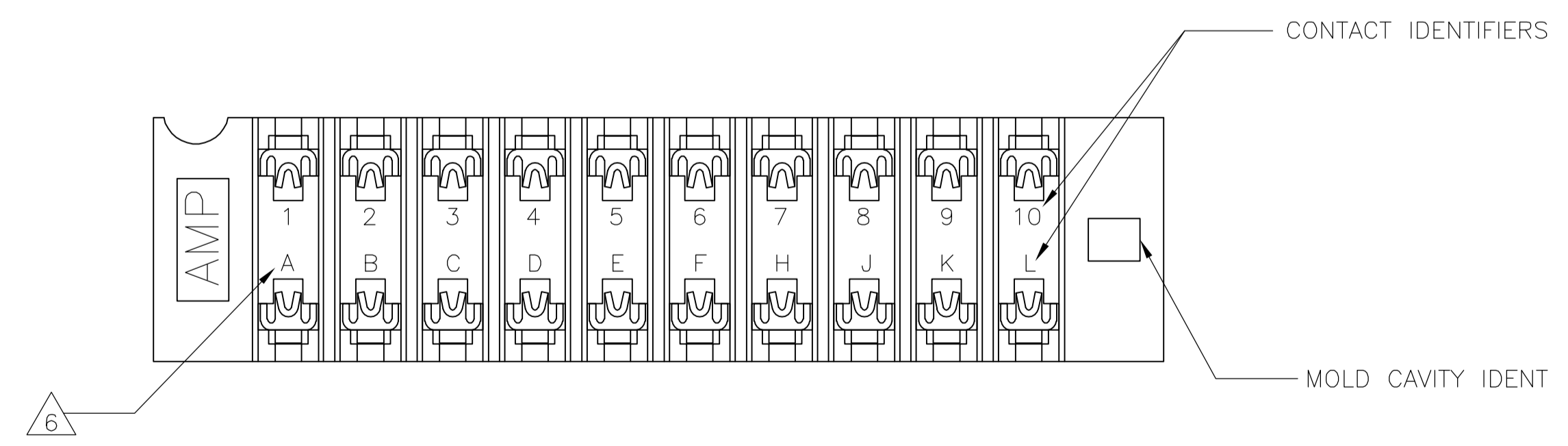
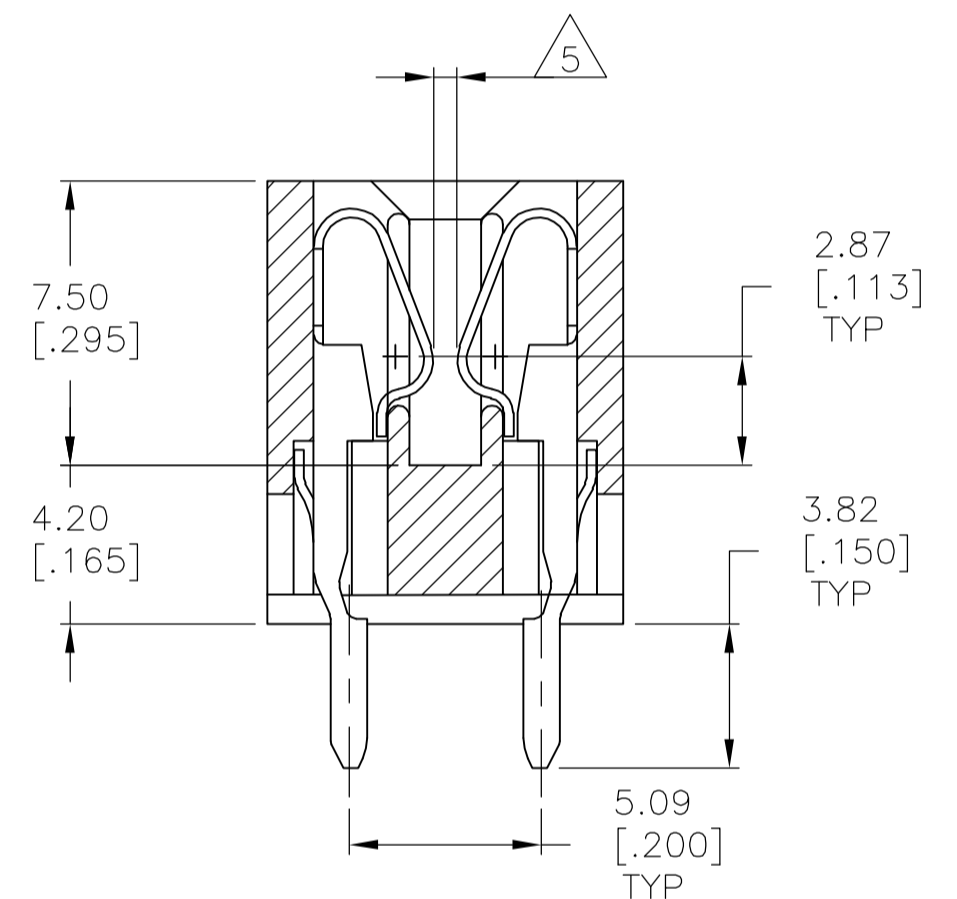
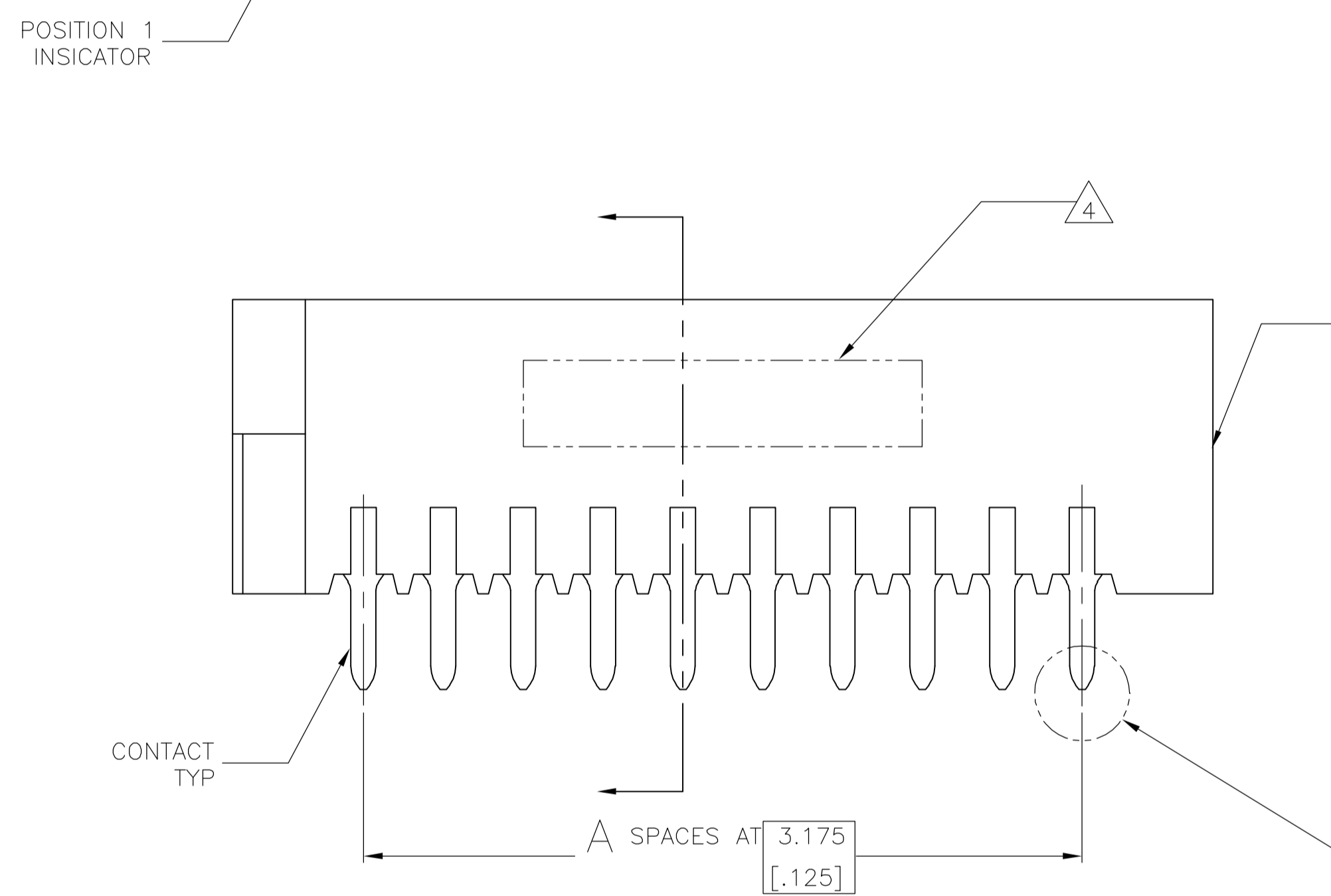
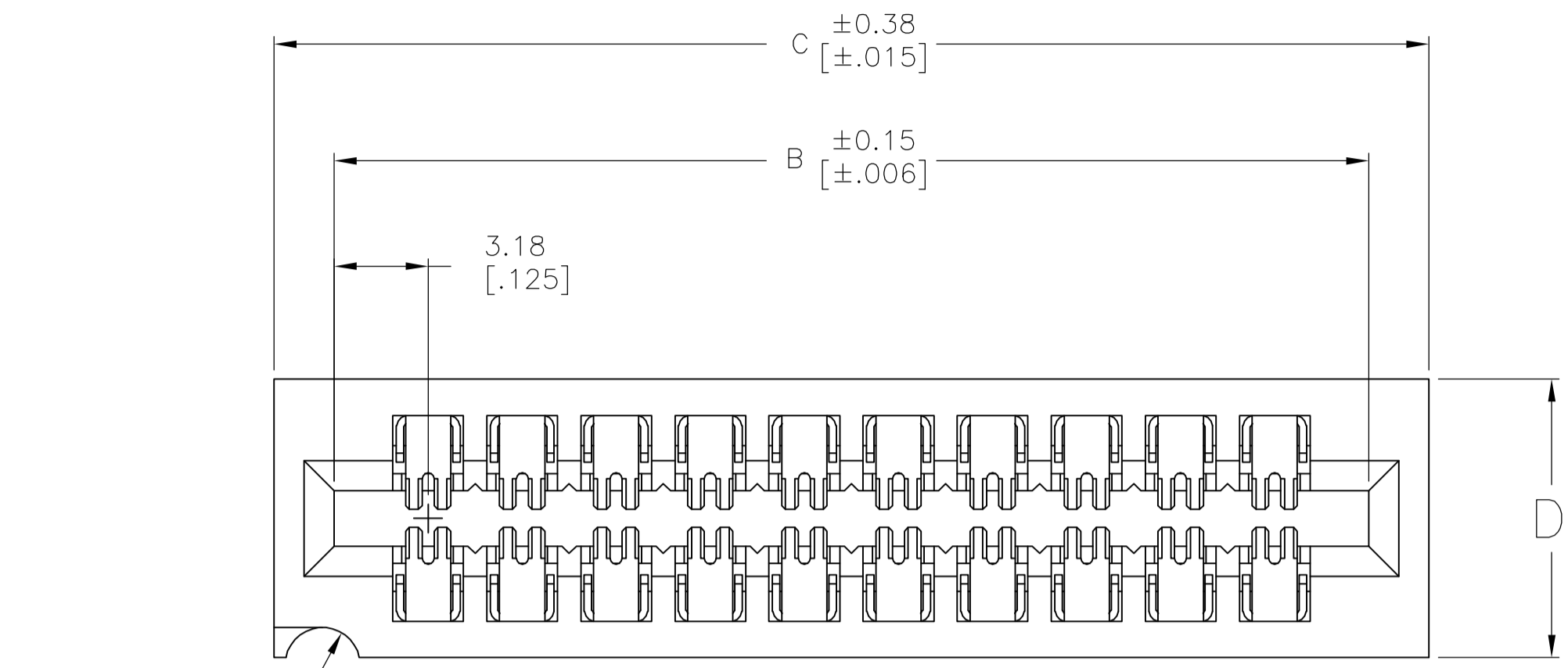


- 1 HOUSING: GLASS FILLED POLYESTER, GREEN CONTACTS: PHOSPHOR BRONZE
- 2 1.27µm[.000050] MIN THICK NICKEL PLATE ALL OVER, 0.76µm[.000030] MIN THICK GOLD PLATE OVER NICKEL IN CONTACT AREA AND 2.54µm[.000100] MIN THICK TIN-LEAD ON SOLDER TAIL
- 3 1.27µm[.000050] MIN THICK NICKEL PLATE ALL OVER, 1.27µm[.000050] MIN THICK GOLD PLATE OVER NICKEL IN CONTACT AREA AND 2.54µm[.000100] MIN THICK TIN-LEAD ON SOLDER TAIL
- 4 AMP PART NUMBER AND DATE CODE MARKED IN THIS AREA
- 5 ACCEPTS 1.40-1.78[.055-.070] MATING DAUGHTERCARD
- 6 MOLDED CHARACTERS (UPPER & LOWER CASE LETTERS FOLLOWED BY UPPER CASE LETTERS AA, AB, ETC.) OMITTING LETTERS G,I,O, & Q
- 7 1.27µm[.000050] MIN THICK NICKEL PLATE ALL OVER, 0.76µm[.000030] MIN THICK GOLD PLATE OVER NICKEL IN CONTACT AREA AND 2.54µm[.000100] MIN THICK TIN ON SOLDER TAIL
- 8 1.27µm[.000050] MIN THICK NICKEL PLATE ALL OVER, 1.27µm[.000050] MIN THICK GOLD PLATE OVER NICKEL IN CONTACT AREA AND 2.54µm[.000100] MIN THICK TIN ON SOLDER TAIL



SCALE 10:1

9.40 [.370]	83.44 [3.285]	98.42 [3.125]	23	7	24	8-530671-3
9.40 [.370]	134.24 [5.285]	130.18 [5.125]	39	7	40	8-530671-0
9.40 [.370]	121.54 [4.785]	117.48 [4.625]	35	7	36	7-530671-9
9.40 [.370]	102.49 [4.035]	98.42 [3.875]	29	7	30	7-530671-7
9.40 [.370]	96.14 [3.785]	92.08 [3.625]	27	7	28	7-530671-6
9.40 [.370]	77.089 [3.035]	73.025 [2.875]	21	7	22	7-530671-5
9.40 [.370]	64.39 [2.535]	60.32 [2.375]	17	7	18	7-530671-4
9.40 [.370]	54.86 [2.160]	50.80 [2.000]	14	7	15	7-530671-3
9.40 [.370]	38.99 [1.535]	34.92 [1.375]	9	7	10	7-530671-2
9.40 [.370]	26.29 [1.035]	22.22 [.875]	5	7	6	7-530671-1
9.40 [.370]	92.14 [3.785]	92.08 [3.625]	27	8	28	6-530671-4
9.40 [.370]	83.44 [3.285]	98.42 [3.125]	23	2	24	3-530671-3
9.40 [.370]	134.24 [5.285]	130.18 [5.125]	39	2	40	3-530671-0
9.40 [.370]	121.54 [4.785]	117.48 [4.625]	35	2	36	2-530671-9
9.40 [.370]	102.49 [4.035]	98.42 [3.875]	29	2	30	2-530671-7
9.40 [.370]	96.14 [3.785]	92.08 [3.625]	27	2	28	2-530671-6
9.40 [.370]	64.39 [2.535]	60.32 [2.375]	17	2	18	2-530671-4
9.40 [.370]	54.86 [2.160]	50.80 [2.000]	14	2	15	2-530671-3
9.40 [.370]	38.99 [1.535]	34.92 [1.375]	9	2	10	2-530671-2
9.40 [.370]	26.29 [1.035]	22.22 [.875]	5	2	6	2-530671-1
9.40 [.370]	92.14 [3.785]	92.08 [3.625]	27	3	28	1-530671-4
D	C	B	A	CONTACT FINISH	NO OF POSN	PART NUMBER

THIS DRAWING IS A CONTROLLED DOCUMENT.

DIMENSIONS: mm [INCHES]	TOLERANCES UNLESS OTHERWISE SPECIFIED: 0 PLC ± - 1 PLC ± - 2 PLC ± 0.13 [.005] 3 PLC ± - 4 PLC ± - ANGLES ± -	DWN D. HARDY 12SEP97 CHK R. STONE 16SEP97 APVD D. WIKE 18SEP97	Tyco Electronics Corporation Harrisburg, Pa 17105-3608
MATERIAL 1	FINISH -	WEIGHT -	SIZE A1 DATE CODE 00779 DRAWING NO. 530671

CONNECTION ASSEMBLY, .125CL X .200CL W/O MOUNTING EARS, .150 SOLDER TAIL, DUAL POSITION, LOW PROFILE

CUSTOMER DRAWING SCALE 5:1 SHEET 1 OF 1 REV M1